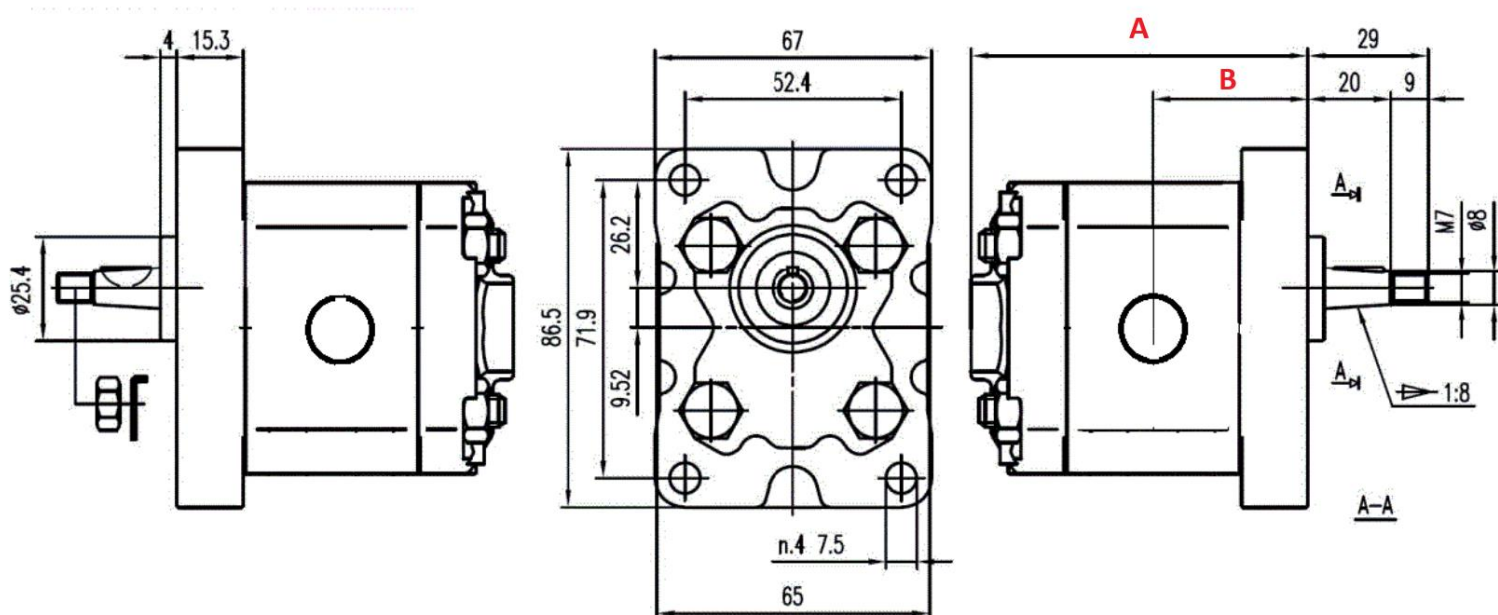


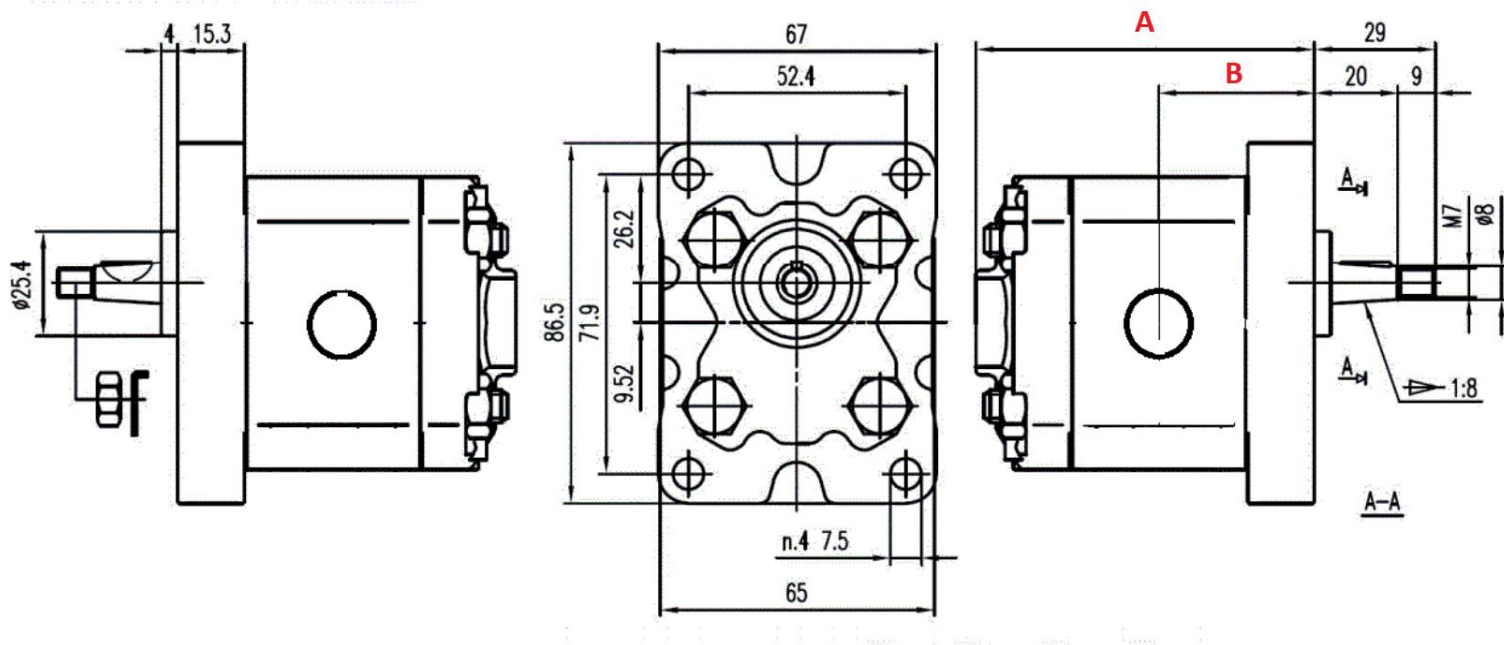
## DATASHEET – DIMENSIONS

### HYDRAULIC GEAR PUMPS GR.1 - »THREAD«



Direction of rotation: LEFT

Code	Flow (L/min)	Working pressure (bar)	Max.pressure (bar)	Revolution (rpm)	Suction thread	Pressure thread	A (mm)	B (mm)
11590	1,6	250	300	6000	3/8"	3/8"	78	35
11591	2,7						81	37
11592	3,7						85	39
11593	4,8	200	250	4000	1/2"	3/8"	89	41
11594	5,8			93			43	
10491	6,3			97			45	
11595	8			101			47	



**Direction of rotation: RIGHT**

Code	Flow (L/min)	Working pressure (bar)	Max.pressure (bar)	Revolution (rpm)	Suction thread	Pressure thread	A (mm)	B (mm)
11596	1,6	250	300	6000	3/8"	3/8"	78	35
11597	2,7						81	37
11598	3,7						85	39
11599	4,8	200	250	4000	1/2"	3/8"	89	41
11600	5,8			3500			93	43
11601	6,3			2900			97	45
11602	8			2100			101	47